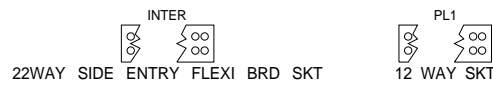
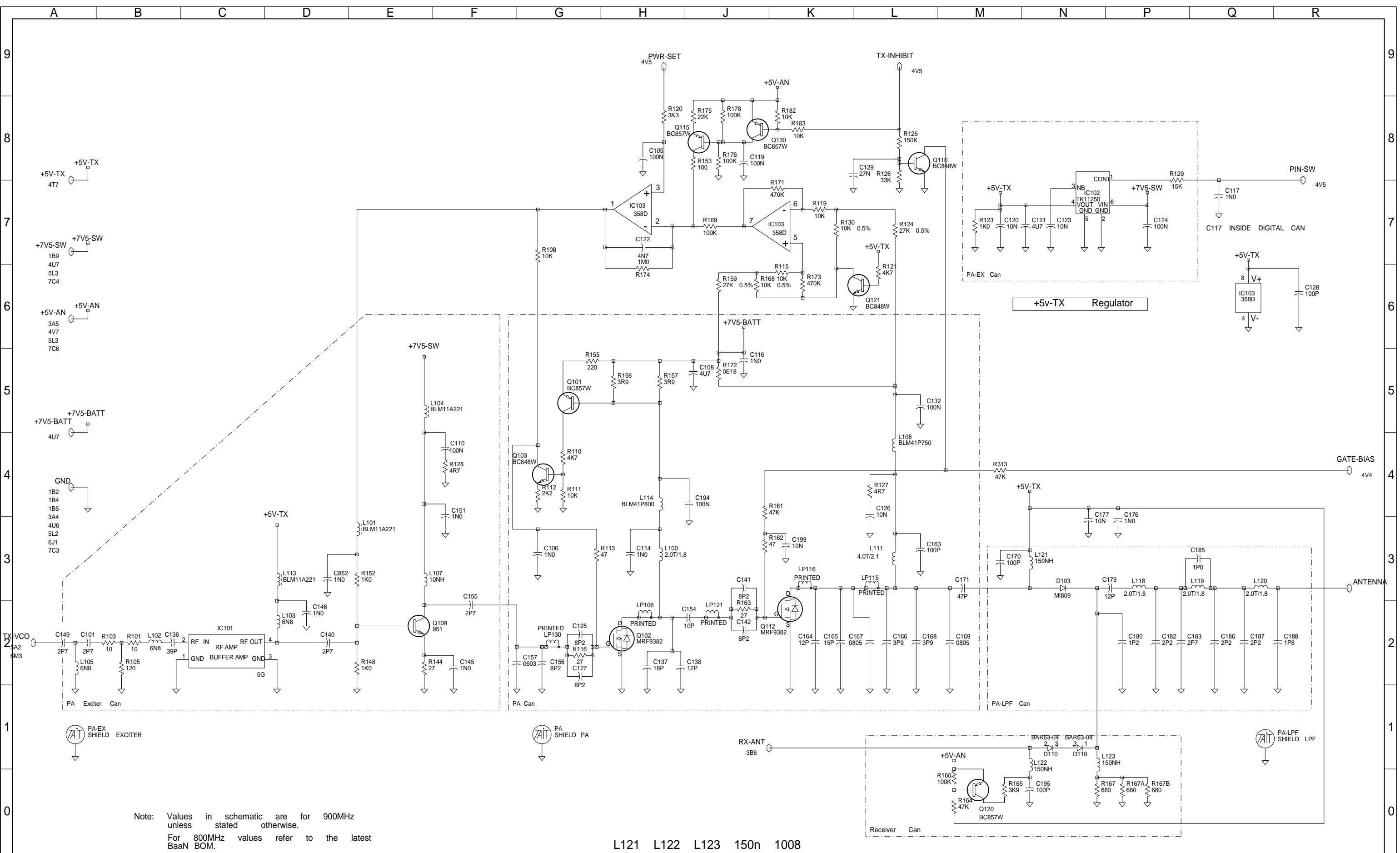


02D	REGENERATE PLC & PLA FILES	CCN	No.1610-002	TS		05-10-99
02C	4 SP.PINS NOW SMD, SEALS NONSMD	CCN	No.1610-001	TS		17-09-99
02B	REFRESHED SAFC957/860 & 0E18U	BRD				02/07/99
REV/ISS	AMENDMENTS	DRAWN	CHKD	D.O.	APVD	DATE



© TAIT ELECTRONICS  
 ORCA TOP: 900MHZ SYSTEM DIAGRAM  
 IPN: 220-01610-02 ISSUE: D ID: 2.S.C. 1  
 PROJECT: ORCA DESIGNER: BRD/TS FILE NAME: 161002d FILE DATE: 5-Oct-99 NO.SHEETS: 7



Note: Values in schematic are for 900MHz unless stated otherwise.  
 For 800MHz values refer to the latest BaaN BOM.

L121 L122 L123 150n 1008

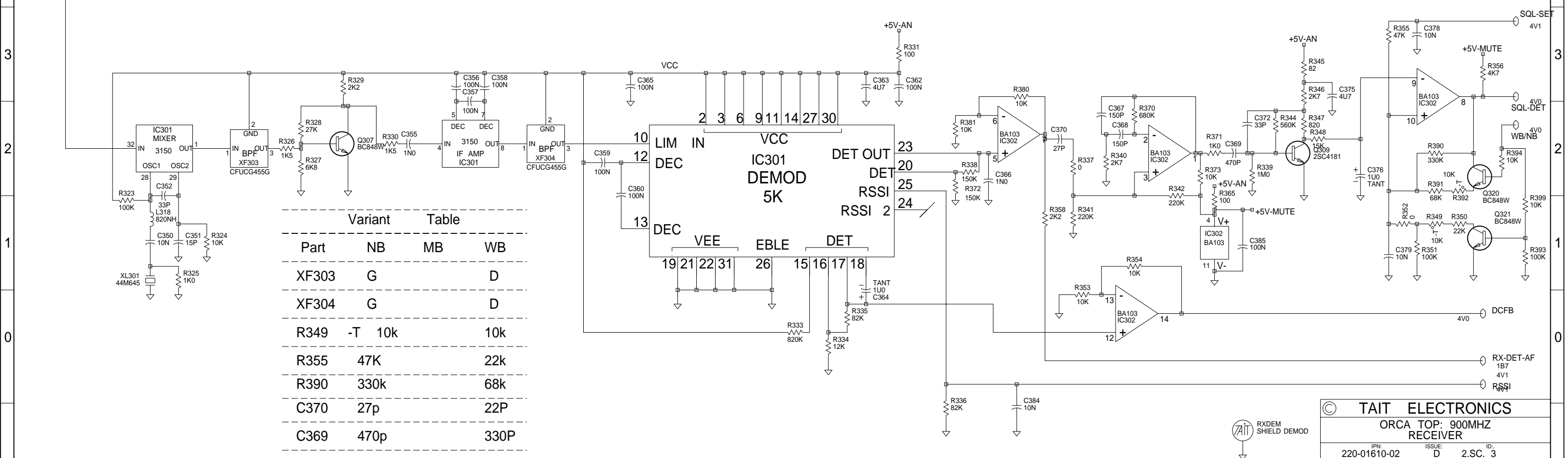
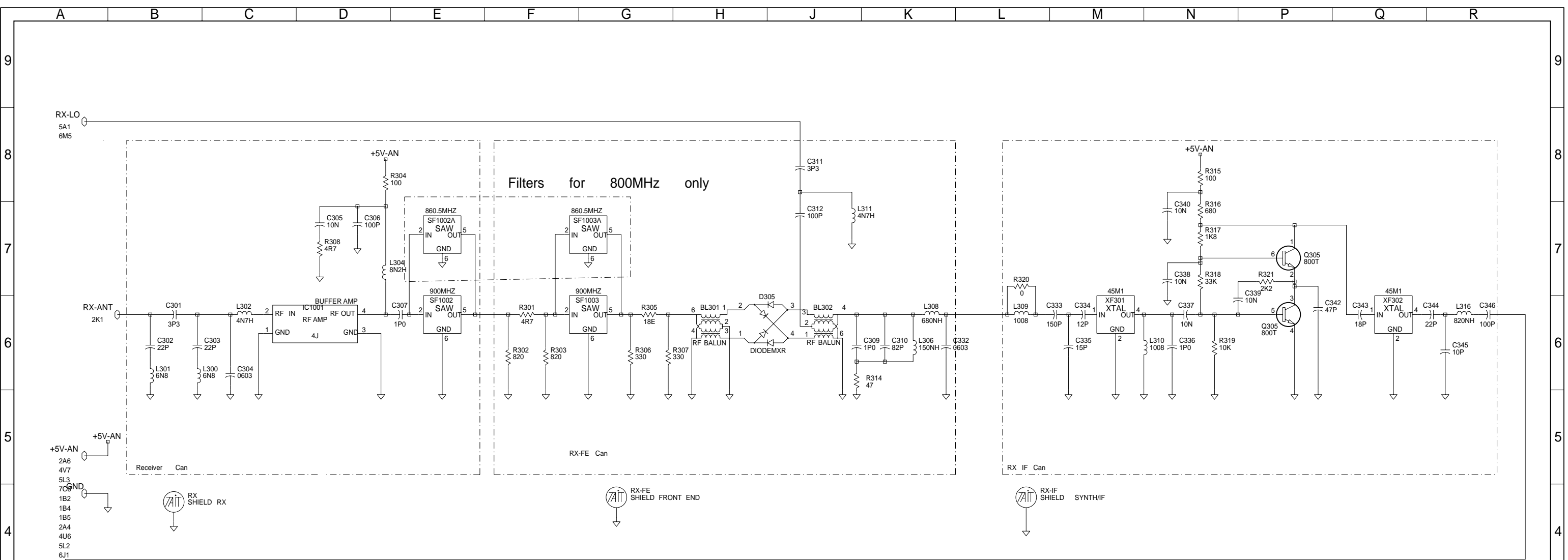
02B	REFRESHED SAFC947/860 & OE18U.	BRD				07-09-99
REV/ISS	AMENDMENTS	DRAWN	CHKD	D.O.	APVD	DATE

© TAIT ELECTRONICS

ORCA TOP: 900MHZ POWER AMPLIFIER

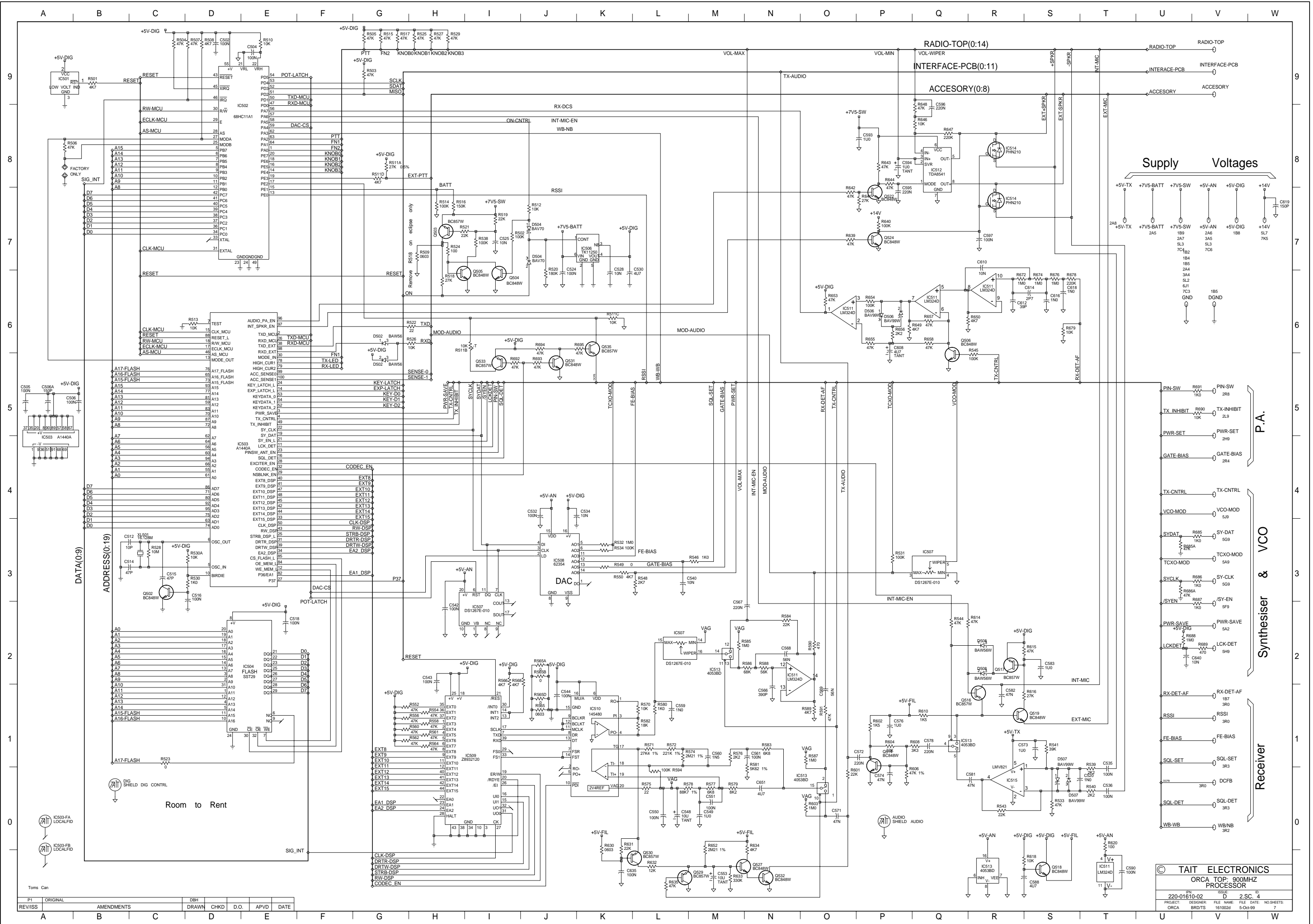
IPN: 220-01610-02    ISSUE: D    ID: 2.S.C. 2

PROJECT: ORCA    DESIGNER: BRD/TS    FILE NAME: 161002d    FILE DATE: 5-Oct-99    NO.SHEETS: 7

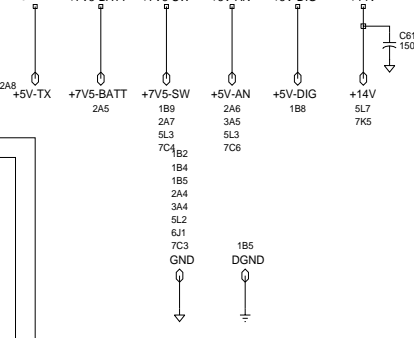


REV/ISS	AMENDMENTS	DRAWN	CHKD	D.O.	APVD	DATE
A		B	C	D	E	

PROJECT:	DESIGNER:	FILE NAME:	FILE DATE:	NO. SHEETS:
ORCA	BRD/TS	161002d	5-Oct-99	7



**Supply Voltages**



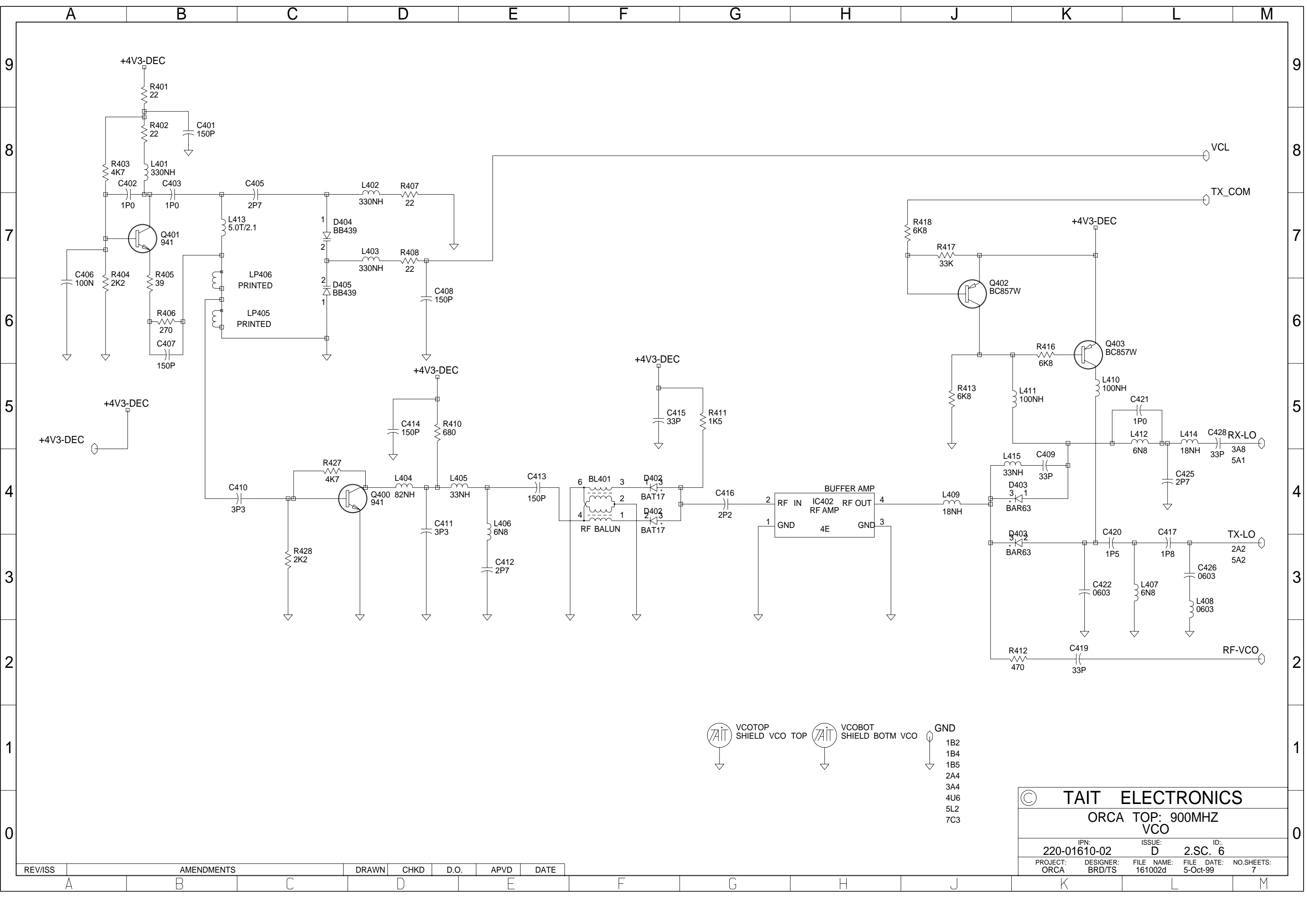
© TAIT ELECTRONICS  
 ORCA TOP-900MHZ  
 PROCESSOR

220-01610-02 D 2-SC-4  
 PROJECT: ORCA BRDTS FILE NAME: 1610024 FILE DATE: 5-OCT-99 NO SHEETS: 7

REV/ISS	ORIGINAL	AMENDMENTS	DRAWN	CHKD	D.O.	APVD	DATE
A							

Toms Can





VCOTOP SHIELD VCO TOP  
 VCOBOT SHIELD BOTM VCO  
 GND

- 1B2
- 1B4
- 1B5
- 2A4
- 3A4
- 4U6
- 5L2
- 7C3

© TAIT ELECTRONICS

ORCA TOP: 900MHZ VCO

IPN: 220-01610-02	ISSUE: D	ID: 2.SC. 6
PROJECT: ORCA	DESIGNER: BRD/TS	FILE NAME: 161002d
	FILE DATE: 5-Oct-99	NO.SHEETS: 7

REV/ISS	AMENDMENTS	DRAWN	CHKD	D.O.	APVD	DATE

